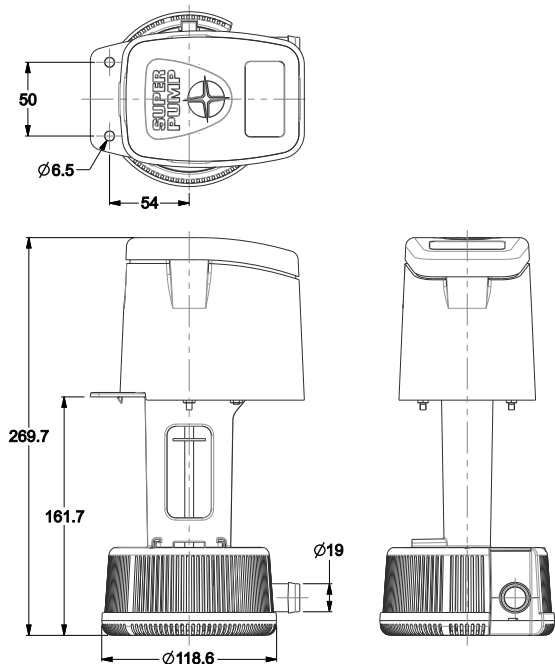




# Evaporative Cooler Pump

- ★ Available in 3 models - SP280, SP380 & SP500
- ★ Integrated filter basket
- ★ Hi-flo motor cooling venturi
- ★ Quick fit assembly bracket to suit specific evaporative cooler models
- ★ Thermal overload protection (UL approved)
- ★ Long life ball bearings
- ★ Stainless steel shaft
- ★ Continuous S1 duty
- ★ Standard 240V 50 Hz
- ★ EMC approved to AS/NZS CISPR14:2010
- ★ Tested to AS/NZS 60335.1:2011 *Household and similar electrical appliances - Safety requirements*



## Nominal Performance Specifications

Model	Flow L/m @600mm	Flow L/m @1600mm	Current	Power
SP280	24.0	16.5	0.38A	44W
SP380	29.5	23.0	0.44A	52W
SP500	38.0	30.5	0.57A	67W

