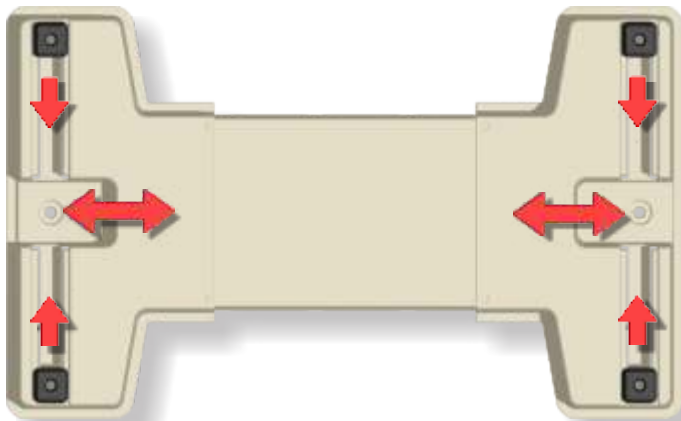
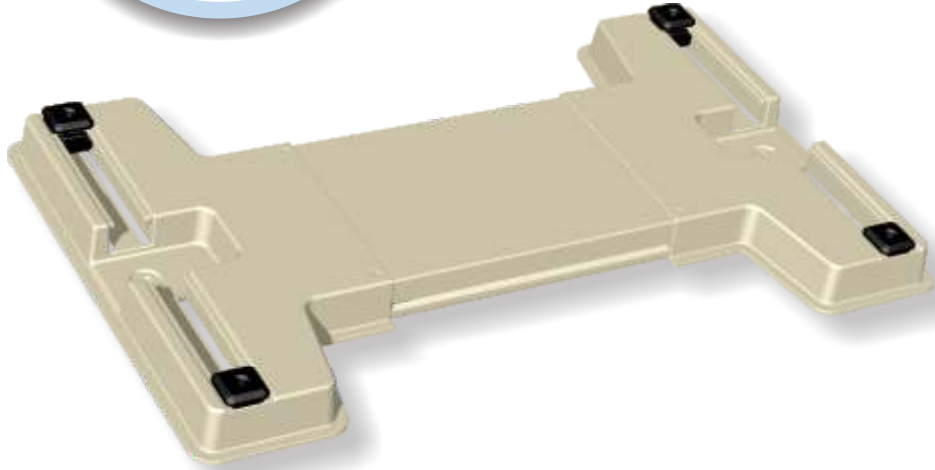


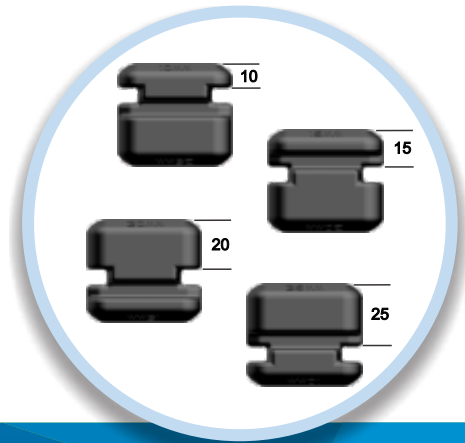


Equipment Base



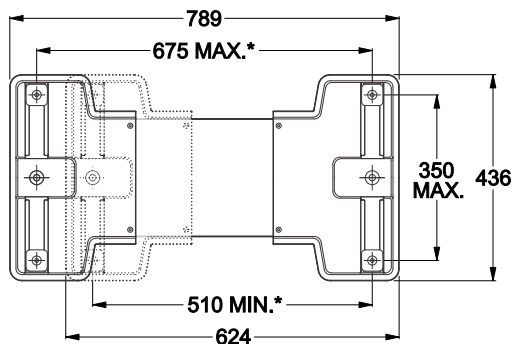
- ★ Designed for outdoor units of split system air conditioners
- ★ Available in 4 sizes - 50mm high (new 100mm height range coming soon)
- ★ Lightweight
- ★ Simple to assemble & adjust to suit any size
- ★ Patented multi-height rubber mounts absorb vibration, allow the outdoor unit to be easily fixed to the base and allow for levelling of outdoor unit on sloped surfaces - simply rotate mount to achieve desired height
- ★ UV stable polymer
- ★ Compact packaging
- ★ Patented & designed in Australia

PATENTED DESIGN!

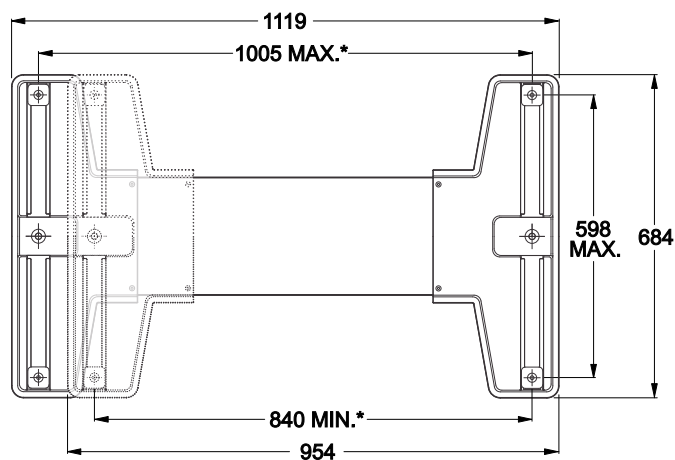




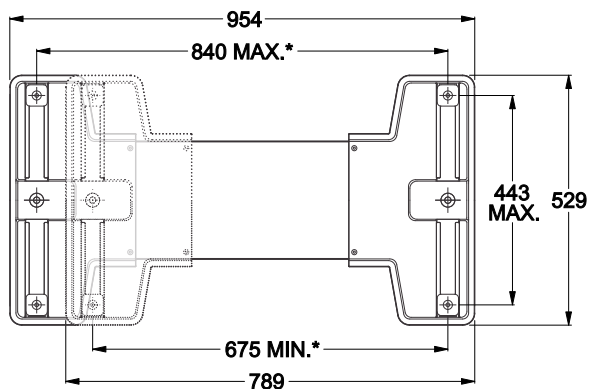
Equipment Base



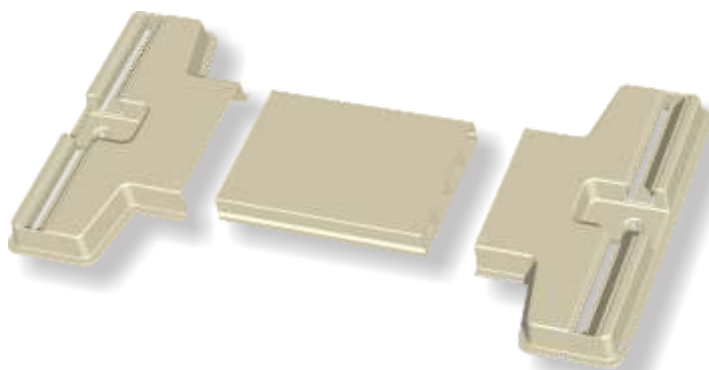
Model: SSMA Load Rating: 160kg



Model: SLAR Load Rating: 160kg



Model: SMED Load Rating: 160kg



*Other widths are achievable by either trimming the centre joiner or ordering a special length joiner

- ★ Robust fixing point to attach to all types of surfaces
- ★ Perimeter profile on underside to accommodate silicon bead for additional surface fixing
- ★ New 100mm range coming soon

