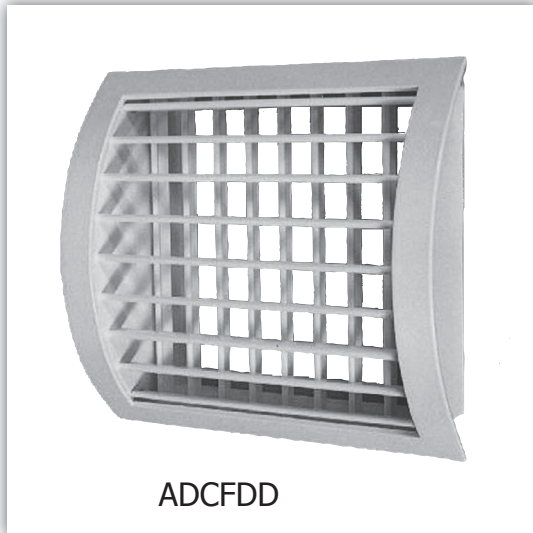


## CURVED FACE DOUBLE DEFLECTION REGISTER Model ADCFDD



### APPLICATIONS

Truly unique, curved face registers are designed for direct mounting to horizontal runs of circular or oval duct work for either supply, return or exhaust applications.

Registers needs to be sized so the height of the grille is at least 100mm less than the diameter of the duct to which it is fitted, allowing sufficient room for the grille frame.

### FEATURES

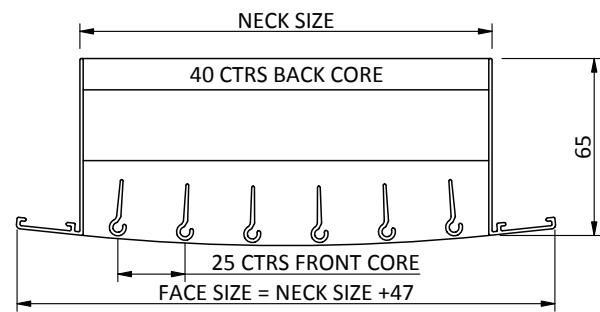
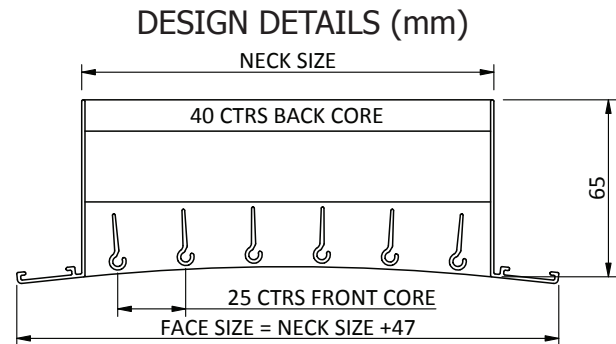
Two cores with adjustable horizontal and vertical blades at 25mm centres.

Extruded Aluminium lightweight construction.

Manufactured to suit both concave or convex curves.

Details of duct diameters are required at time of order to establish curvature requirements

Standard finish powder coat satin white.





## CURVED FACE DOUBLE DEFLECTION REGISTER Model ADCFDD

### 0° Deflection

Nominal Size	1000 x 250 900 x 300 750 x 350			900 x 350 1000 x 300 1200 x 250		
	0.25 sqm			0.30 sqm		
Core m/s	L/s	Pa	Throw(m)	L/s	Pa	Throw(m)
1.0	250	1	7	300	1	7
1.5	375	2	10	450	2	11
2.0	500	4	13	600	4	14
2.5	625	7	16	750	7	18
3.0	750	10	20	900	10	21
3.5	875	13	23	1050	14	25
4.0	1000	17	26	1200	18	28
5.0	1250	27	33	1500	28	35

### 22.5° Deflection

Nominal Size	500 x 300 600 x 250 750 x 200			600 x 300 750 x 250 900 x 200			750 x 300 900 x 250 1200 x 200			750 x 350 900 x 300 1000 x 250			900 x 350 1000 x 300 1200 x 250		
	0.15 sqm			0.18 sqm			0.24 sqm			0.27 sqm			0.30 sqm		
Core m/s	L/s	Pa	Throw(m)	L/s	Pa	Throw(m)	L/s	Pa	Throw(m)	L/s	Pa	Throw(m)	L/s	Pa	Throw(m)
1.0	150	1	5	180	1	5	240	1	7	270	1	7	300	1	7
1.5	225	3	7	270	3	8	360	3	10	405	3	10	450	2	11
2.0	300	5	9	360	5	10	480	6	13	540	5	13	600	4	14
2.5	375	7	11	450	7	13	600	9	16	675	7	16	750	7	17
3.0	450	10	14	540	10	15	720	12	19	810	11	20	900	10	20
3.5	525	14	16	630	14	18	840	17	22	945	15	23	1050	14	24
4.0	600	18	18	720	18	21	960	22	25	1080	19	26	1200	18	27
5.0	750	29	22	900	28	26	1200	35	31	1350	30	32	1500	28	34

Throw (m) is to a terminal velocity of 0.25m/s.

## CURVED FACE DOUBLE DEFLECTION REGISTER Model ADCFDD

### 45° Deflection

Nominal Size	300 x 150			250 x 200 350 x 150 500 x 100			300 x 200 400 x 150 600 x 100			350 x 200 500 x 150 750 x 100		
	0.045 sqm			0.050 sqm			0.060 sqm			0.075 sqm		
Core m/s	L/s	Pa	Throw(m)	L/s	Pa	Throw(m)	L/s	Pa	Throw(m)	L/s	Pa	Throw(m)
1.0	45	2	2	50	1	2	60	1	2	75	2	3
1.5	68	4	3	75	3	3	90	3	4	113	4	4
2.0	90	6	4	100	6	4	120	6	5	150	6	6
2.5	112.5	10	5	125	9	5	150	9	6	188	10	7
3.0	135	15	6	150	13	6	180	13	7	225	14	9
3.5	157.5	20	7	175	18	8	210	17	9	263	20	10
4.0	180	26	8	200	24	9	240	22	10	300	26	12
5.0	225	41	10	250	37	11	300	35	13	375	40	15

Nominal Size	450 x 200 600 x 150 900 x 100			400 x 250 500 x 200 750 x 150			500 x 250 600 x 200 900 x 150			500 x 300 600 x 250 750 x 200		
	0.090 sqm			0.100 sqm			0.120 sqm			0.15 sqm		
Core m/s	L/s	Pa	Throw(m)	L/s	Pa	Throw(m)	L/s	Pa	Throw(m)	L/s	Pa	Throw(m)
1.0	90	2	3	100	1	3	120	1	3	150	1	3
1.5	135	4	5	150	3	5	180	2	5	225	3	5
2.0	180	6	6	200	6	7	240	5	7	300	6	7
2.5	225	10	8	250	9	8	300	9	8	375	9	9
3.0	270	15	10	300	13	10	360	12	10	450	13	11
3.5	315	20	11	350	17	12	420	17	12	525	17	12
4.0	360	26	13	400	22	13	480	22	13	600	23	14
5.0	450	41	16	500	35	17	600	34	17	750	36	18

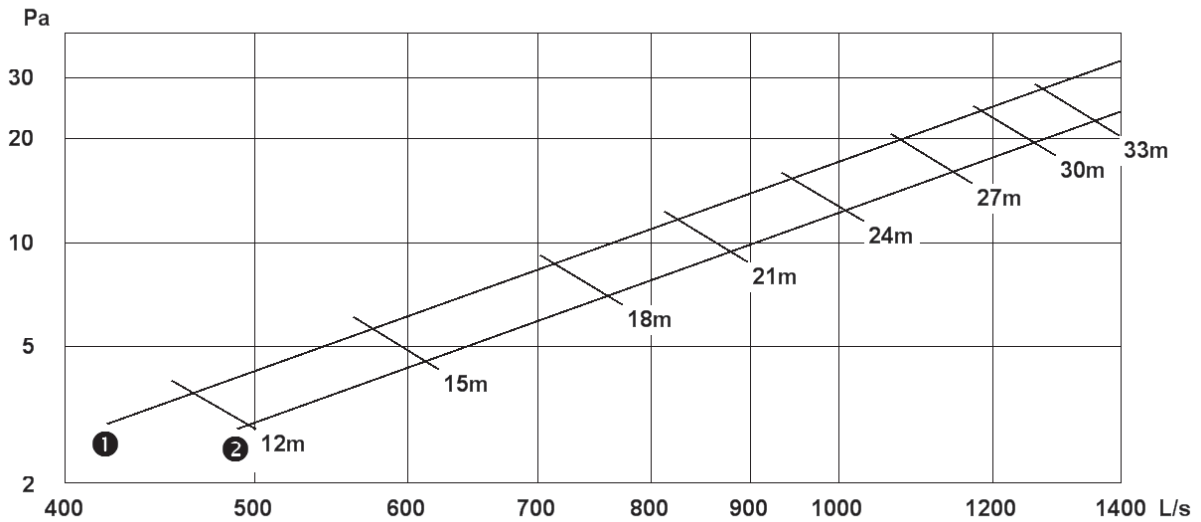
Nominal Size	600 x 300 750 x 250 900 x 200			750 x 300 900 x 250 1200 x 200			750 x 350 900 x 300 1000 x 250			900 x 350 1000 x 300 1200 x 250		
	0.18 sqm			0.24 sqm			0.27 sqm			0.30 sqm		
Core m/s	L/s	Pa	Throw(m)	L/s	Pa	Throw(m)	L/s	Pa	Throw(m)	L/s	Pa	Throw(m)
1.0	180	1	4	240	2	5	270	2	5	300	1	5
1.5	270	3	6	360	4	7	405	4	8	450	3	8
2.0	360	5	8	480	7	10	540	6	10	600	5	11
2.5	450	8	10	600	11	12	675	10	13	750	8	14
3.0	540	11	12	720	16	15	810	14	16	900	12	16
3.5	630	16	14	840	22	17	945	19	18	1050	16	19
4.0	720	20	16	960	28	20	1080	25	21	1200	21	22
5.0	900	32	21	1200	44	25	1350	39	26	1500	33	27

Throw (m) is to a terminal velocity of 0.25m/s. Throw to a terminal velocity of 0.5m/s is approximately 70% of the above.



CURVED FACE DOUBLE DEFLECTION REGISTER  
Model ADCFDD

Curved Face Register - 0° Deflection

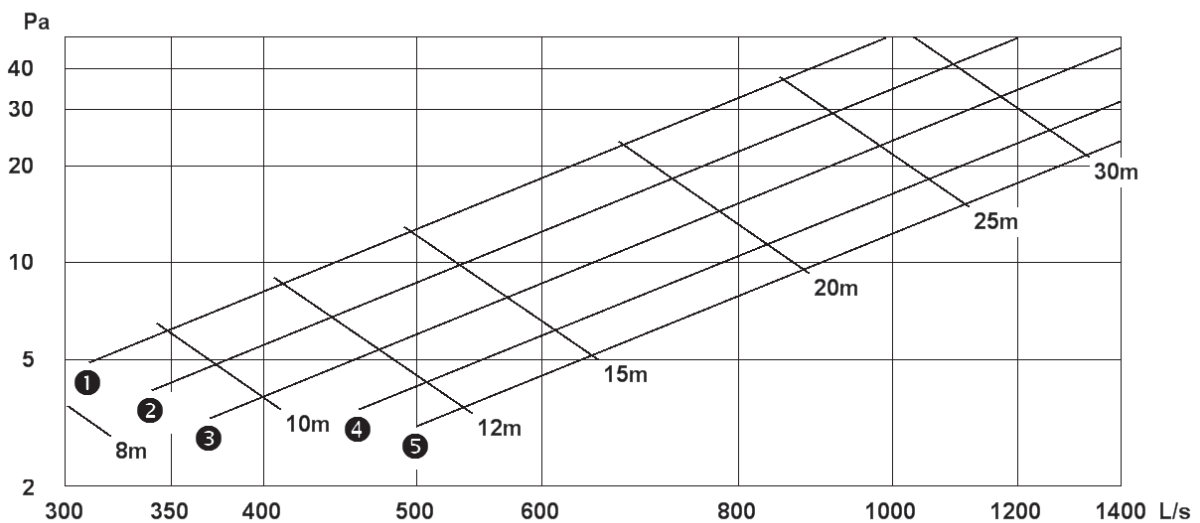


Throw (m) is to a terminal velocity of 0.25m/s.

Register Size

- ① 1000x250, 900x300, 750x350
- ② 900x350, 1000x300, 1200x250

Curved Face Register - 22.5° Deflection



Throw (m) is to a terminal velocity of 0.25m/s.

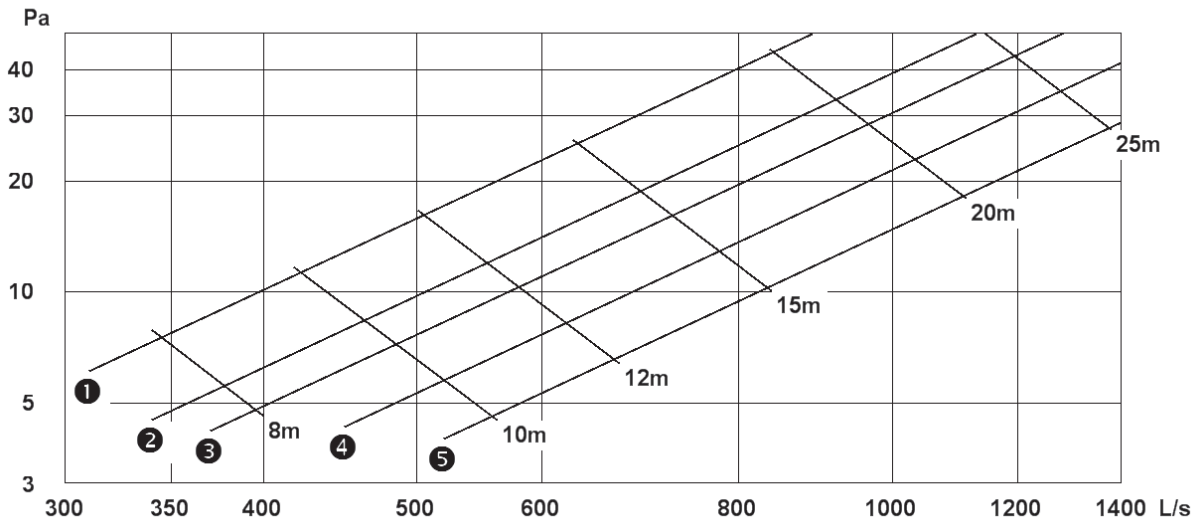
Register Size

- ① 500x300, 600x250, 750x200
- ② 600x300, 750x250, 900x200
- ③ 750x300, 900x250, 1200x200
- ④ 750x350, 900x300, 1000x250
- ⑤ 900x350, 1000x300, 1200x250



CURVED FACE DOUBLE DEFLECTION REGISTER  
Model ADCFDD

Curved Face Register - 45° Deflection

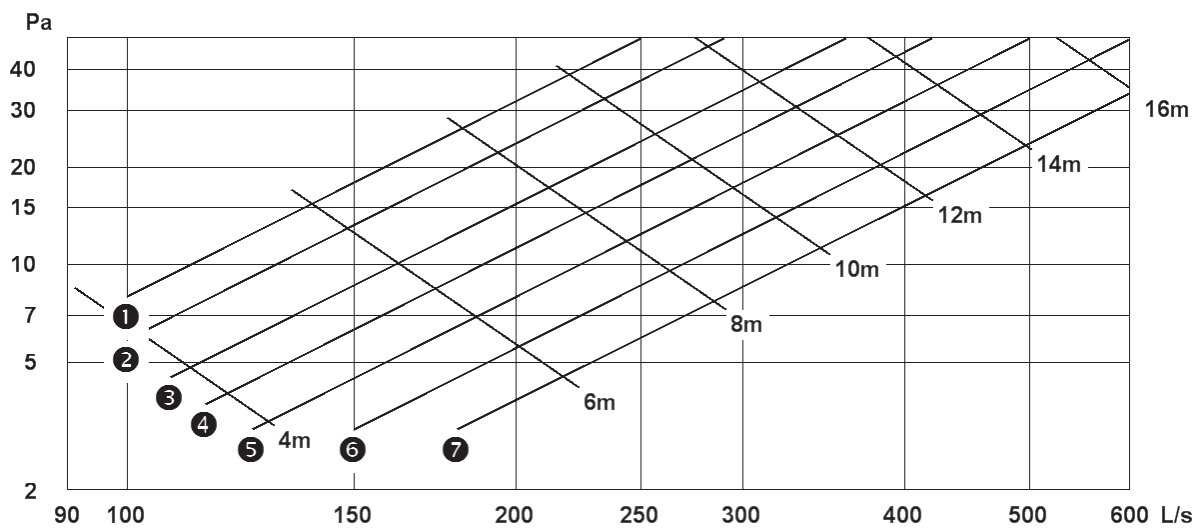


Throw (m) is to a terminal velocity of 0.25m/s.

Register Size

1	2	3	4	5
500x300, 600x250, 750x200	600x300, 750x250, 900x200	750x300, 900x250, 1200x200	750x350, 900x300, 1000x250	900x350, 1000x300, 1200x250

Curved Face Register - 45° Deflection



Throw (m) is to a terminal velocity of 0.25m/s.

Register Size

1	2	3	4	5	6	7
300x150	250x200, 350x150, 500x100	300x200, 400x150, 600x100	350x200, 500x150, 750x100	450x200, 600x150, 900x100	400x250, 500x200, 750x150	500x250, 600x200, 900x150