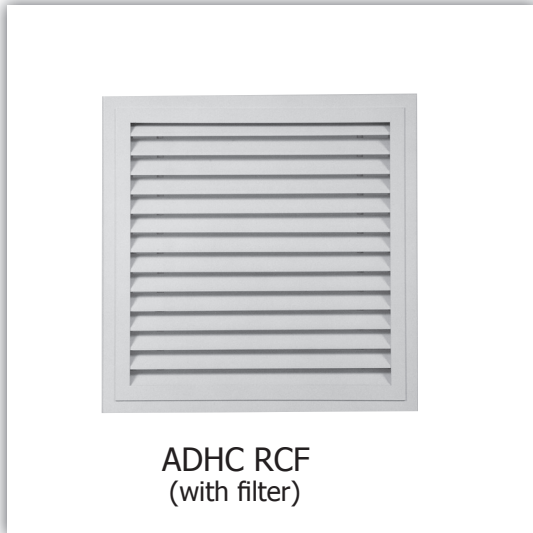
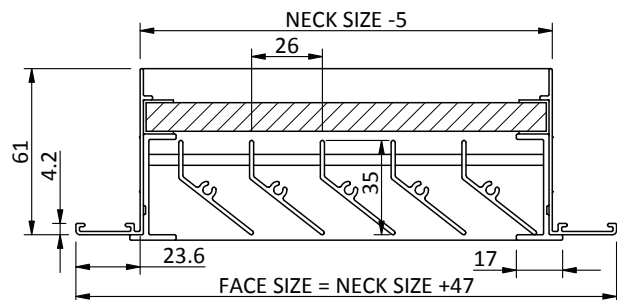


HALF CHEVRON WITH REMOVABLE CORE Model ADHC RCF



DESIGN DETAILS (mm)



APPLICATIONS

The removable core half chevron grille with filter is ideal for wall return and transfer air applications. A no-sight effect is achieved below eye level, and the same can be achieved for above eye level by inverting the blade.

The core is held in place by magnetic catches and can be easily removed for installation, filter cleaning and access behind register.

Some units indicate when the filter should be cleaned/changed depending on use. If not, we suggest at least every 6 months in domestic applications.

A clean filter can significantly impact the performance of the unit.

FEATURES

Aluminium lightweight construction.

Clip out removable core for ease of filter cleaning and access behind register.

Removable slide filter fitted to core.

Half Chevron's feature horizontal 45° Blades set at 26mm centres.

Approximate free area 60% - Grille only.

Standard finish powder coat satin white.

SELECTION GUIDE

Size (Nom)	Neck Area Sq.m	Max LS Based on 2.0 m.s.
450 x 600	0.25	350
450 x 750	0.337	438
500 x 900	0.45	584
450 x 1000	0.45	584
450 x 1200	0.54	702
550 x 1150	0.632	820

1297 l/s per m². Based on a clean filter.
Selection to be used as a guide only