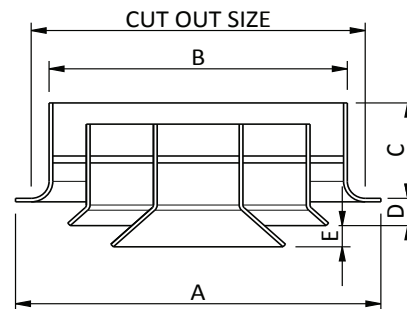


JET DIFFUSER IN FLANGED SLEEVE Model ADJDN



ADJDN

DESIGN DETAILS (mm)



APPLICATIONS

The Jet diffuser mounted in a flanged sleeve is an attractive option for air conditioning large areas.

The cone shape is designed to handle large air velocities and create exceptionally long throws.

Ideal for high ceilings, Jet Diffusers are highly effective in large areas like warehouses, shopping centres and sports halls.

Fully adjustable and interchangeable between 'jet' and 'diffuse' positions.

FEATURES

Jet diffuser banks available for mounting multiple diffusers into a plenum box or plate. With multiple diffusers, several areas within a large radius can be targeted effectively from a single installation.

Supplied with locking nuts to facilitate fixing to existing duct.

Standard finish powder coat satin white.

STOCK SIZES (mm)

DIA	A	B	C	D	E	CUT OUT SIZE
200	250	200	105	30	15	227
250	300	250	105	35	15	280
300	355	300	105	35	20	330
350	410	350	105	35	20	380
400	455	400	105	35	30	435
500	555	500	105	35	25	530

Exact dimensions listed.

500dia has 3 cones (centre cone sits 35mm lower than measurement E).