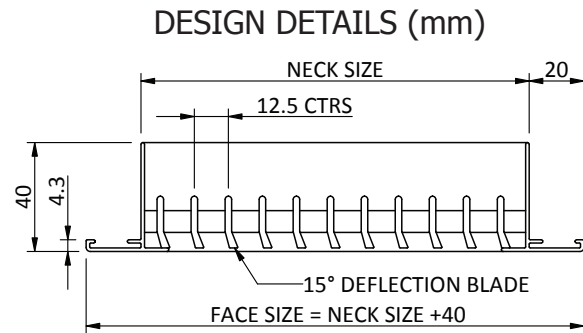
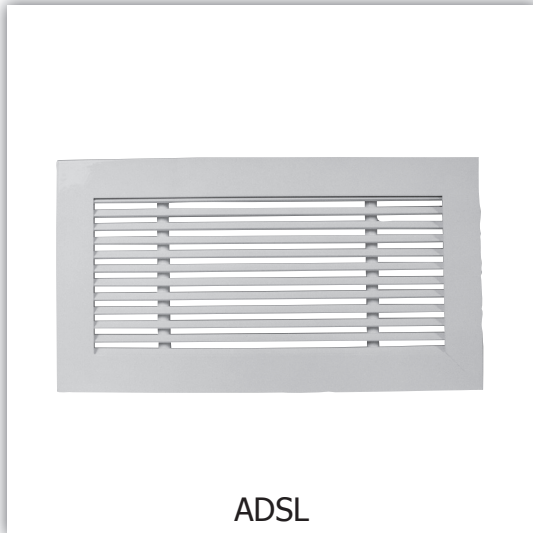


SLIM LINE GRILLE (15° DEFLECTION BLADE) Model ADSL



APPLICATIONS

An attractive grille for sidewall, kickboard or floor mounted applications equally efficient in heating, cooling and ventilation applications.

The 15° deflection blade provides directional air control with a precision quality appearance.

FEATURES

Constructed of extruded, lightweight aluminium resistant to rust and corrosion.

Sections can be butted together for continuous appearance.

Ideal for supply or exhaust application.

Alternative blade spacing available on request.

Standard finish powder coat satin white.

SLIM LINE GRILLE (15° DEFLECTION BLADE) Model ADSL

Slim Line Grille Performance																
Nominal Size	1200 x 50				1200 x 75				1200 x 100				1200 x 125			
Core m/s	0.060 sqm				0.090 sqm				0.120 sqm				0.150 sqm			
	L/s	Pa	t.50	t.25	L/s	Pa	t.50	t.25	L/s	Pa	t.50	t.25	L/s	Pa	t.50	t.25
1.0	60	5	1	2	90	4	2	3	120	5	2	3	150	5	2	3
1.5	90	10	2	3	135	9	2	3	180	11	3	4	225	11	3	4
2.0	120	18	3	4	180	16	3	4	240	19	4	5	300	19	4	6
2.5	150	29	3	4	225	24	4	5	300	30	4	6	375	30	5	7
3.0	180	41	4	5	270	35	4	6	360	43	5	7	450	44	5	8
3.5	210	56	4	6	315	48	5	7	420	59	6	8	525	59	6	9
4.0	240	73	5	6	360	62	5	8	480	77	6	9	600	78	7	10
5.0	300	114	5	8	450	97	6	9	600	120	8	11	750	121	8	12

Slim Line Grille Performance																
Nominal Size	1200 x 150				1200 x 200				1200 x 225				1200 x 250			
Core m/s	0.180 sqm				0.240 sqm				0.270 sqm				0.300 sqm			
	L/s	Pa	t.50	t.25	L/s	Pa	t.50	t.25	L/s	Pa	t.50	t.25	L/s	Pa	t.50	t.25
1.0	180	4	2	3	240	4	3	4	270	3	3	4	300	3	3	4
1.5	270	9	3	5	360	9	4	5	405	8	4	5	450	7	4	6
2.0	360	16	4	6	480	17	5	7	540	14	5	7	600	12	5	7
2.5	450	24	5	7	600	26	6	8	675	22	6	8	750	19	6	9
3.0	540	35	6	8	720	37	7	9	810	31	7	10	900	27	7	10
3.5	630	48	6	9	840	51	7	11	945	43	8	11	1050	37	8	11
4.0	720	62	7	10	960	66	8	12	1080	56	8	12	1200	48	9	12
5.0	900	97	9	12	1200	104	10	14	1350	987	10	14	1500	76	10	15

Slim Line Grille Performance								
Nominal Size	1200 x 300				1200 x 400			
Core m/s	0.360 sqm				0.480 sqm			
	L/s	Pa	t.50	t.25	L/s	Pa	t.50	t.25
1.0	360	3	3	4	480	3	3	5
1.5	540	6	4	6	720	6	5	7
2.0	720	11	5	8	960	11	6	9
2.5	900	17	6	9	1200	17	7	10
3.0	1080	25	7	10	1440	25	8	12
3.5	1260	34	8	12	1680	34	9	13
4.0	1440	45	9	13	1920	44	10	15
5.0	1800	70	11	16	2400	69	12	18

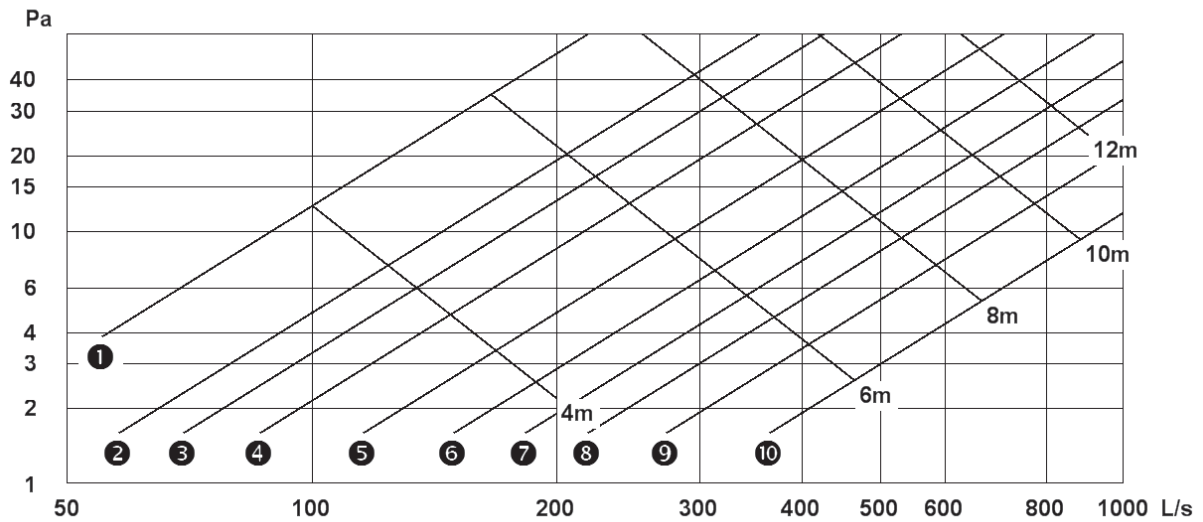
NOTE:

t.50 - Throw (m) to terminal velocity of 0.5m/s.

t.25 - Throw (m) to terminal velocity of 0.25m/s

SLIM LINE GRILLE (15° DEFLECTION BLADE) Model ADSL

Slim Line Grille



Throw (m) is to a terminal velocity of 0.25m/s.
Throw to a terminal velocity of 0.5m/s is approximately 70% of the above.

Grille Size

1	2	3	4	5	6	7	8	9	10
1200x50	1200x75	1200x100	1200x125	1200x150	1200x200	1200x225	1200x250	1200x300	1200x400